



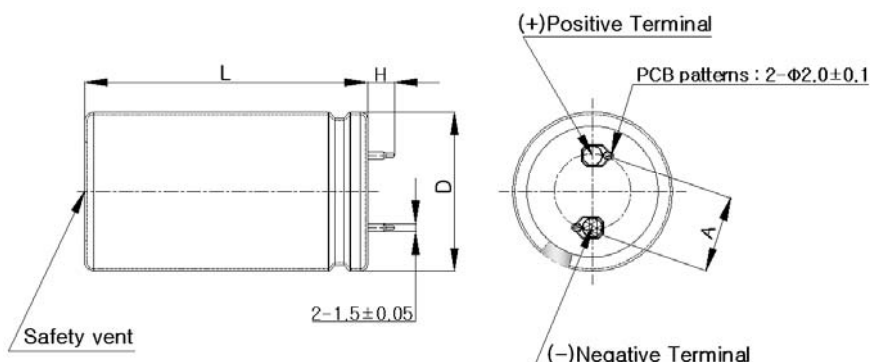
NESSCAP® Ultracapacitor Products

Features

EDLC(Electric Double Layer Capacitor)
 Two snap-in terminals and radial design
 Compliant with RoHS requirement (Ex : Cd, Pb)

Dimension

Dimension in mm (not to scale)



Capacitance	Dimension (mm)			
	D (+1.0)	L (+2.0)	H (±1.0)	A (±0.2)
120F	22	45	6.0	10.0

Product & Spec.

Rated Capacitance	Internal Resistance (mΩ)		Max. Current (A)	Leakage Current (mA)	Stored Energy (Wh)	Specific Energy (Wh/kg)	Weight (g)	Part Number
	Discharge with constant current at 25°C	AC(1kHz)						
120F	< 16	< 24	35.6	0.14	0.088	3.83	23.0	ESLSR-0120C0-002R3

Rated Voltage, V _R	2.3 V	
Surge Voltage	2.7 V	
Capacitance Tolerance	-10% / +20%	
Operating Temperature Range	-25 ~ 65 °C	ΔC <30% and ΔESR < 4 times of initially measured value at 25°C, respectively
Storage Temperature Range	-40 ~ 85 °C	
Life Time at RT ⁽¹⁾	10 years	(1) ΔC < 30% and ΔESR < 1 times of initially specified value , respectively and LC < specified value
Cycle Life (25°C) ⁽¹⁾⁽²⁾	500,000 cycles	(2) Cycle : between rated voltage and half rated voltage under constant current at 25°C

* Life time is provisional value

© NESSCAP 2008. All Rights reserved. Design, Specifications are subjected to change without notice.

Taiwan Agent : Component Plus Inc.
 Contact person : Ray Jeng, Mobile 0916-205145
 Tel: +886-2-2898-4050 Fax: +886-2-2896-9157 e-mail:ray.jeng@seed.net.tw

ISO 9001, ISO 14001, TS 16949