



NESSCAP® Ultracapacitor Products

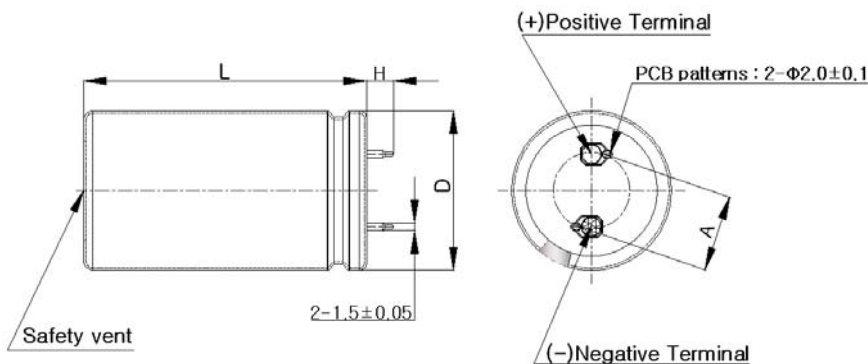
Features

EDLC(Electric Double Layer Capacitor)
 Two snap-in terminals and radial design
 Compliant with RoHS requirement (Ex : Cd, Pb)



Dimension

Dimension in mm (not to scale)



Capacitance	Dimension (mm)			
	D (+1.0)	L (+2.0)	H (±1.0)	A (±0.2)
100F	22	45	6.0	10.0

Product & Spec.

Rated Capacitance Discharge with constant current at 25°C	Internal Resistance (mΩ)		Max. Current (A)	Leakage Current (mA)	Stored Energy (Wh)	Specific Energy (Wh/kg)	Weight (g)	Part Number
	AC(1kHz)	DC	1 sec discharge rate to 1/2V _R	72hours, 25°C	at V _R	Gravimetric		
100F	< 9	< 12	61.4	0.26	0.101	4.81	21.0	ESHSR-0100C0-002R7

Rated Voltage, V _R	2.7 V	
Surge Voltage	2.85 V	
Capacitance Tolerance	0% / +20%	
Operating Temperature Range	-40 ~ 65 °C	ΔC <5% and ΔESR < 0.5 times of initially measured value at 25°C, respectively
Storage Temperature Range	-40 ~ 70 °C	
Life Time at RT ⁽¹⁾	10 years	(1) ΔC < 30% and ΔESR < 1 times of initially specified value , respectively and LC < specified value
Cycle Life (25°C) ⁽¹⁾⁽²⁾	500,000 cycles	(2) Cycle : between rated voltage and half rated voltage under constant current at 25°C

* Life time is provisional value

© NESSCAP 2008. All Rights reserved. Design, Specifications are subjected to change without notice.

Taiwan Agent : Component Plus Inc.
 Contact person : Ray Jeng, Mobile 0916-205145
 Tel: +886-2-2898-4050 Fax: +886-2-2896-9157 e-mail:ray.jeng@seed.net.tw

ISO 9001, ISO 14001, TS 16949