

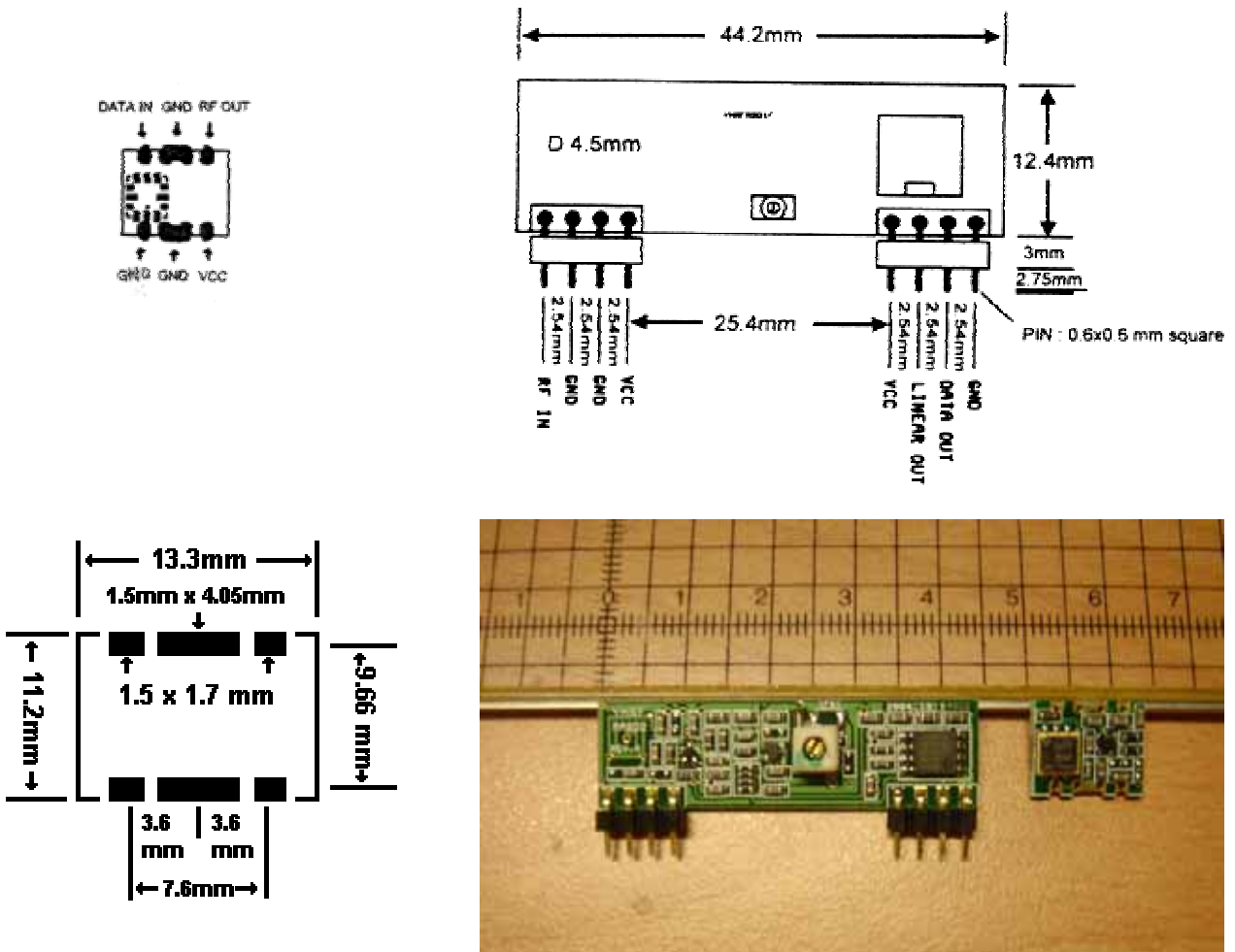
# PRODUCT SPECIFICATION

## ASK RF Module for 280~434Mhz Wireless RF Applications

### FEATURES:

- Standard Power Consumption Operation.  
RX YH-R-SD3 5V  
TX YH-T-SAW 12V
- Low Power Consumption Operation  
RX YH-R-SD3-L 3V  
TX YH-T-SAW-L 3V
- Designed for 280~434Mhz communication systems.
- ASK Modulation/Demodulation
- Low spurious noise
- Data rate 4800 bps typical
- Dimension (Tx:13.3×11.2×4.5mm ; Rx:44.1×12.4×4.5mm)

### ELECTRICAL SPECIFICATIONS



<b>Item No</b>	<b>Parameter</b>	<b>Description</b>	<b>Tx Module</b>	<b>Rx Module</b>
1	Receive frequency band		N/A	280~434MHZ
2	Demodulation	Minimum		ASK detection
3	Receiver sensitivity Low Power Type	Minimum		-103dBm -100dBm
4	Data rate	Typical	4800 bps	4800bps
5	Transmit frequency band		303.85~315~MHZ 418~433.92~MHZ	N/A
6	Modulation		ASK	N/A
7	Output power		<u>15.5dbm@12V</u> <u>14.2dbm@10V</u> <u>13.5dbm@9V</u> <u>10.1dbm@6V</u> <u>8.0dbm@5V</u> <u>4.0dbm@3.5V</u>	
8	Duplex type		Transmit only	Receive only
9	RF frequency to tolerance		±100K 25C	±500K 25C
10	Temp. range	Operation Storage	-15 to 80 -20 to 85	-15 to 80 -20 to 85
11	Standard Power Low Power		3.5~12VDC 2.2~5.0VDC	4.5~5.5VDC 2.9~3.2VDC
12	Standard Power Low Power	12V 3V	8.0mA @ 15.5dbm 4.0mA @ 4dbm	
13	Dimensions		13.3×11.2×4.5mm	44.2×12.4×4.5mm

舜成實業有限公司 / Component Plus Inc.

Tel : 886-2-2898-4050

Fax : 886-2-2896-9157

Mobile +886-916-205145

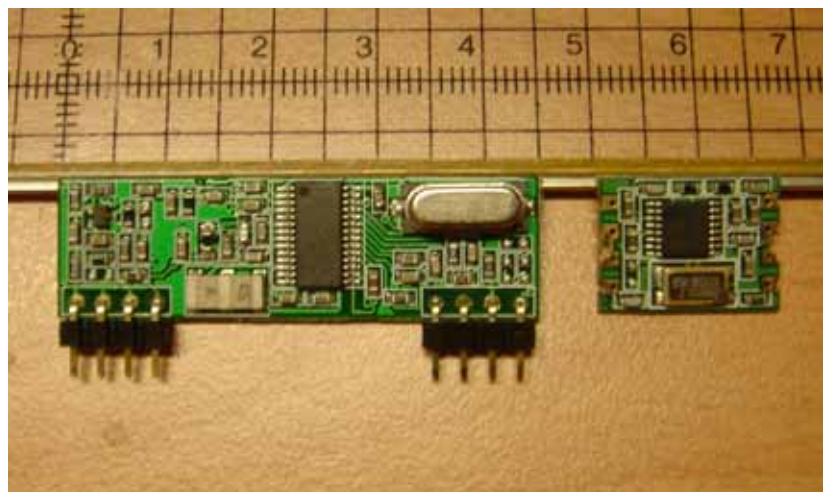
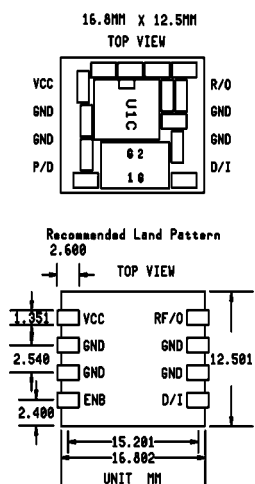
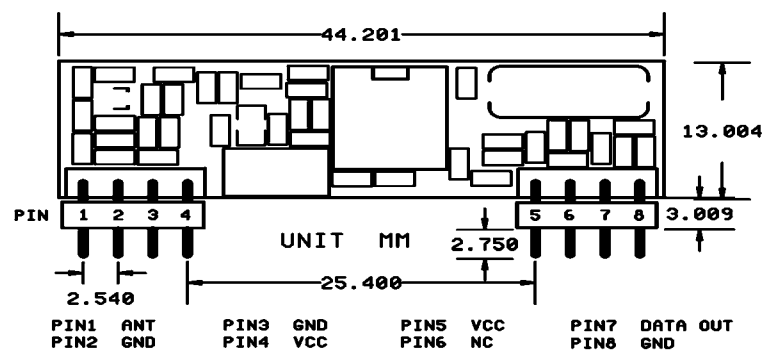
E-Mail : ray.jeng@seed.net.tw

# Products Specification

## FSK RF Module for 433.92/868.3Mhz Wireless RF Applications

### FEATURES:

- Low Power Consumption for 2.4V~3.6V/Tx, 5V±0.5V/Rx Operation.
- Designed for 433.92/868.3Mhz communication systems.
- FSK Modulation/Demodulation
- Dimension (Tx:16.8×12.5×2.4mm ; Rx:44.2×13×5.4mm)



## Electrical Specifications

### FSK

(868.3MHZ/ZigBee channel)

Item No	Parameter	Tx Module	Rx Module
1	Receive frequency band	N/A	433.92/868.3MHZ
2	Demodulation		FSK detection
3	Receiver sensitivity		-104~-106dBm
4	Data rate	20Kbps	4.8Kbps (Standard) 20Kbps (High)
5	Transmit frequency band	433.92/868.3MHZ	N/A
6	Modulation	FSK	N/A
7	Operating Voltage	10dBm@3V( $\pm 1$ dBm)	5V $\pm 0.5$ V
8	RF frequency to tolerance(25 )	$\pm 15$ K	$\pm 25$ K
9	Power source	2.4~3.6V	5 $\pm 0.5$ V
10	Power consumption (Supply Current)	15mA $\pm 1$ mA(3V)	10mA /433.92MHZ 13mA /868.3MHZ
11	Dimensions	16.8 $\times$ 12.5 $\times$ 2.4mm	44.2 $\times$ 13 $\times$ 5.4mm
12	Standby Current	< 0.5 $\mu$ A	
13	Turn on-off	1.5ms	120ms

舜成實業有限公司 / Component Plus Inc.

Tel : 886-2-2898-4050

Fax : 886-2-2896-9157

Mobile +886-916-205145

E-Mail : ray.jeng@seed.net.tw