



CREATING A CLEANER, SAFER, HEALTHIER WORLD.

EQUIPMENT



# T16

## BATTERY-POWERED RIDER SCRUBBER

- Achieve up to 20% lower cost of ownership with Tennant's quality construction and innovative technologies
- Clean anytime, anywhere with the quiet T16 at 68 dBA
- Enhance productivity and safety with unparalleled user-friendly design and Tough-n-Go™ controls

# LOWER YOUR COST OF OWNERSHIP, USING INNOVATIVE CLEANING TECHNOLOGY THAT IS VERSATILE AND EASY TO MAINTAIN – THE T16 HAS IT ALL



## LESS EXPENSIVE TO OPERATE AND MAINTAIN

The T16, equipped with Tennant's exclusive scrubbing technologies, is engineered to be up to 20% less expensive to operate and maintain than traditional scrubbing methods based on acquisition cost, consumables, and maintenance.

The highest quality materials and parts go into every T16 to ensure solid construction and extend the performance life of the machine.

## QUIET OPERATION

The quietest machine in our industrial rider scrubber line, the T16 allows unobtrusive cleaning anytime of the day and anywhere in the building. Operating at just 68 dBA, the T16 won't disturb customers, employees, students, patients or visitors in noise-sensitive areas.

## ENHANCED OPERATOR SAFETY, COMFORT, AND EASE OF USE

The T16's unparalleled design provides an intuitive and operator-friendly experience. Simple patent-pending Touch-n-Go™ control module on steering wheel instills confidence and allows the operator to safely focus on keeping both hands on the wheel even while changing scrub functions. Exceptional visibility and outstanding operator comfort offer enhanced control and safety.

# TENNANT TECHNOLOGIES SUSTAINABLE SOLUTION



The T16 is available with three sustainable technologies.

Tennant's ec-H2O™ technology is totally chemical-free. The technology electrically converts water into an innovative cleaning solution that:

- Cleans effectively without chemicals
- Saves money and improves productivity
- Increases safety and promotes a healthy environment
- Reduces environmental impact

Because it requires no chemicals, ec-H2O poses no harm to the environment or the people using the technology. And, the T16 with ec-H2O technology can pay for itself with chemical cost savings over its lifetime.

## MAXIMIZE CLEANING TIME

With an all-new design, the T16 delivers the latest in cleaning technology. The scrubbing side brush provides a 45 in / 1145 mm scrub path, and a large 50 gal / 190 L solution tank is engineered for maximum cleaning performance and productivity. With ec-H2O and FaST® technologies, clean up to three times longer with a single tank of water. The patented Dura-Trak™ Parabolic Squeegee system also provides excellent water and residue pick up.



## ADDITIONAL EXCLUSIVE TECHNOLOGIES



**FaST® Foam Scrubbing Technology** uses up to 70% less water and 90% less chemicals to improve floor traction as certified by NFSI, helping reduce the risk of slip and fall accidents.



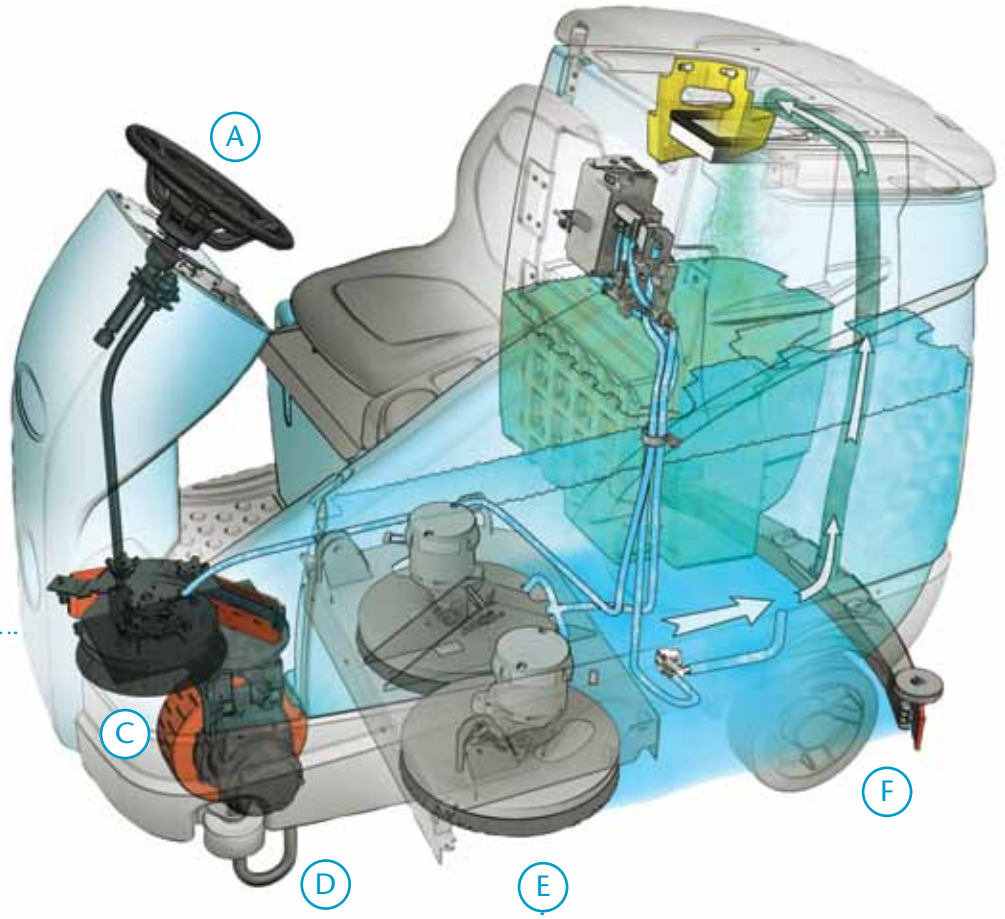
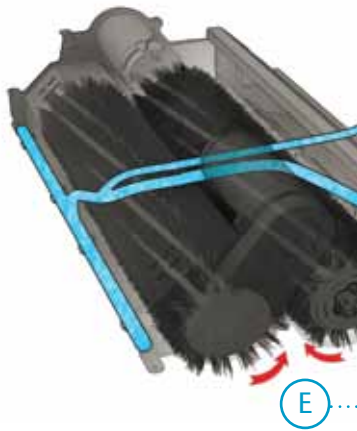
**ES® Extended Scrubbing** productivity enhancement system recycles cleaning chemicals to increase uptime and improve productivity by scrubbing floors using 66% less chemicals than traditional cleaning methods.

**All technologies increase scrub time up to three times using a single tank of water.**



INSIDE THE

# T16



**A** Reduce operator fatigue and effort with controls placed in the center of the steering wheel for easy access.

**B** Improve handling of debris in the cleaning process with an optional dry sweeping system that captures dust in a self-contained filter bag for easy disposal.

**C** Extend component life and reduce maintenance cost with the AC brushless propelling motor that operates more efficiently than traditional DC motors.

**D** Reduce operating costs with robust machine construction that stands up to severe environments, but is also designed to prevent damage to walls and fragile fixtures.

**E** Improve cleaning results by equipping the T16 with the scrub head that best suits the application.

**F** Reduce slip/fall and maintenance costs with the Dura-Trak™ parabolic squeegee system that provides excellent water recovery and can be changed easily without tools.

# INNOVATIONS INCREASE PRODUCTIVITY AND REDUCE COSTS

- ▶ **Touch-N-Go™ Control Module with 1-Step™ Button** – enhance safety with intuitive controls located right in front of the operator, eliminating the need to remove hands from the steering wheel to change scrub settings.
- ▶ **Easy to identify maintenance Touch Points** ensure daily maintenance items are checked and your investment is properly maintained and protected.
- ▶ **Keep the operator compartment neat and tidy** to achieve new levels of productivity. The side cargo net and removable tool caddy help the operator stay organized and keep the compartment free of debris.



## OPTIMIZE CLEANING PERFORMANCE WITH TENNANTTRUE®

Maximize the uptime and life of your Tennant equipment with Tennant True parts and service. Benefit from the unmatched knowledge of our team of over 400 factory trained and certified Tennant Service Reps. Improve productivity with quality parts and supplies that are designed to enhance equipment results. Depend on Tennant True to help you maximize the effectiveness of cleaning operations.

Effectively clean along edges with the scrubbing side brush that expands cleaning path for maintenance cleaning productivity.

Bring high performance spill recovery to hard-to-reach areas with the in-line telescoping vac wand.

Reduce repair costs and protect the rear squeegee when backing up with the rear squeegee protection kit.

Protect operators from falling objects with the overhead guard and protect the T16 from contact damage with the severe environment front bumper.

KEY AVAILABLE FEATURES



## ENVIRONMENTAL STEWARDSHIP



**ec-H2O™ and FaST® technologies are NFSI (National Floor Safety Institute) Certified.** NFSI certified products must pass a 2-phase wet slip resistance process and have been shown to reduce the potential for slip-and-fall accidents.



**ec-H2O and FaST technologies are registered by NSF International.** NSF International is an independent, not-for-profit organization that ensures formulation and labels on these products meet appropriate food safety regulations.



**ec-H2O and FaST technologies may contribute to LEED or LEED-EBOM (Existing Building: Operations & Maintenance) points,** provided other appropriate criteria are met. For more information on obtaining LEED points, please contact your sales rep or refer to the USGBC website at: [www.usgbc.org](http://www.usgbc.org).



**FaST is a Green Seal (GS-37) Certified Detergent.** Green Seal evaluates and certifies cleaning products based on criteria such as the toxicity of the product, skin and eye irritation, skin sensitization, combustibility, toxicity to aquatic life, and packaging.



Conserve Resources



Reduce Detergents



Increase Safety



Improve Air Quality



Reduce Noise

Choose GE Capital, U.S. Bancorp, or All-Line Leasing for simple, quick financing with flexible upgrade options.

## T16 BATTERY-POWERED RIDER SCRUBBER

### SCRUBBING SYSTEM

Cleaning path	36 in / 910 mm
With scrubbing side brush	45 in / 1,145 mm
With sweeping side brush (cylindrical only)	46 in / 1,170 mm
With dual side sweep brushes (presweep only)	46 in / 1,170 mm

### BRUSH DRIVE SYSTEM

Disk scrub head	
Brush motor (2)	1.0 hp / 0.75 kW
Brush RPM	300 rpm
Down pressure weight (variable to)	250 lb / 114 kg
Brush diameter (2)	18 in / 460 mm
Cylindrical scrub head	
Brush motor (2)	1.0 hp / 0.75 kW
Brush RPM	500 rpm
Down pressure weight (variable to)	200 lb / 91 kg
Brush diameter (2)	8 in / 205 mm

### SOLUTION DELIVERY SYSTEM

Solution tank	50 gal / 190 L
Solution capacity with ES®	75 gal / 280 L

### RECOVERY SYSTEM

Recovery tank	60 gal / 225 L
Demisting chamber	10 gal / 38 L
Vacuum fan	0.75 hp / 0.56 kW
Speed	14,000 rpm
Water lift	65 in / 1,650 mm

### PROPELLING SYSTEM

Propel speed forward (variable to)	5.6 mph / 9 km/h
Propel speed reverse (variable to)	2.5 mph / 4 km/h
Propel motor	1.6 hp / 1.2 kW
Gradeability	
Transport at gross weight	8° / 14.1%
Working (scrubbing)	4° / 7%

### MACHINE SPECIFICATIONS

Length	74 in / 1,880 mm
Width	41 in / 1,040 mm
Rear squeegee (hard width)	42 in / 1,070 mm
Height	58 in / 1,475 mm
With overhead guard	82 in / 2,080 mm
Weight	1,100 lb / 500 kg
With standard 235 AH batteries	1,900 lb / 860 kg
Minimum aisle turn	83 in / 2,110 mm
Sound level (operator's ear)	
Disk: Mode #1	68 dBA
Cylindrical: Mode #1	71 dBA
(Sound pressure level tested per ISO 11201 as recommended by the AACEM and OSHA)	

### WARRANTY

See your local representative for warranty information

Specifications subject to change without notice.

## SEEING IS BELIEVING

For a demonstration or additional information, call +1.800.553.8033 or email [info@tennantco.com](mailto:info@tennantco.com)

Tennant  
701 North Lilac Drive  
Minneapolis, MN 55422 USA

USA/Canada: +1.800.553.8033  
Quebec: +1.800.361.9050  
Overseas: +1.763.540.1315

[www.tennantco.com](http://www.tennantco.com)  
[info@tennantco.com](mailto:info@tennantco.com)